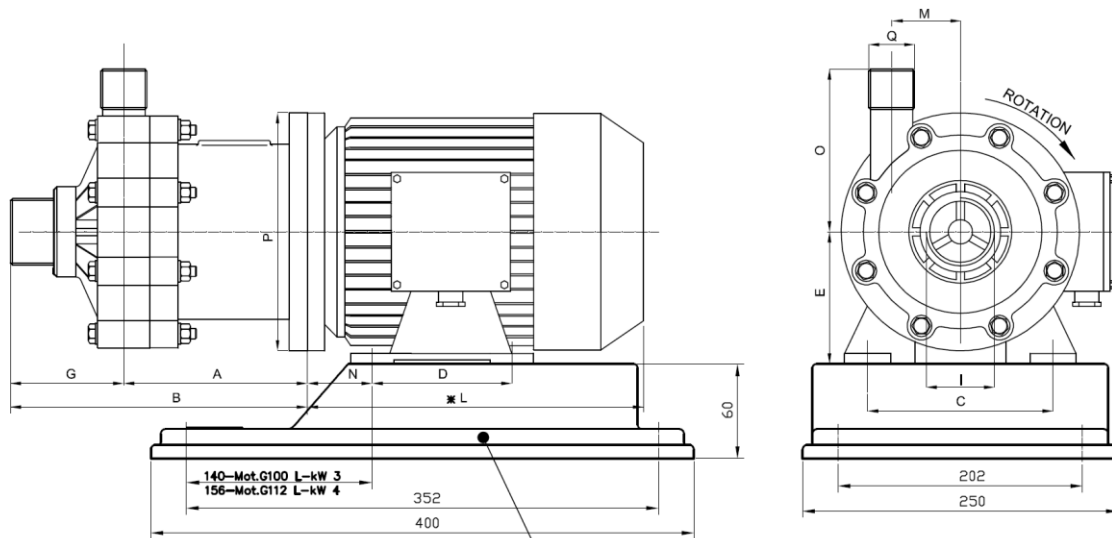


Technical data Corode magnetic drive pumps

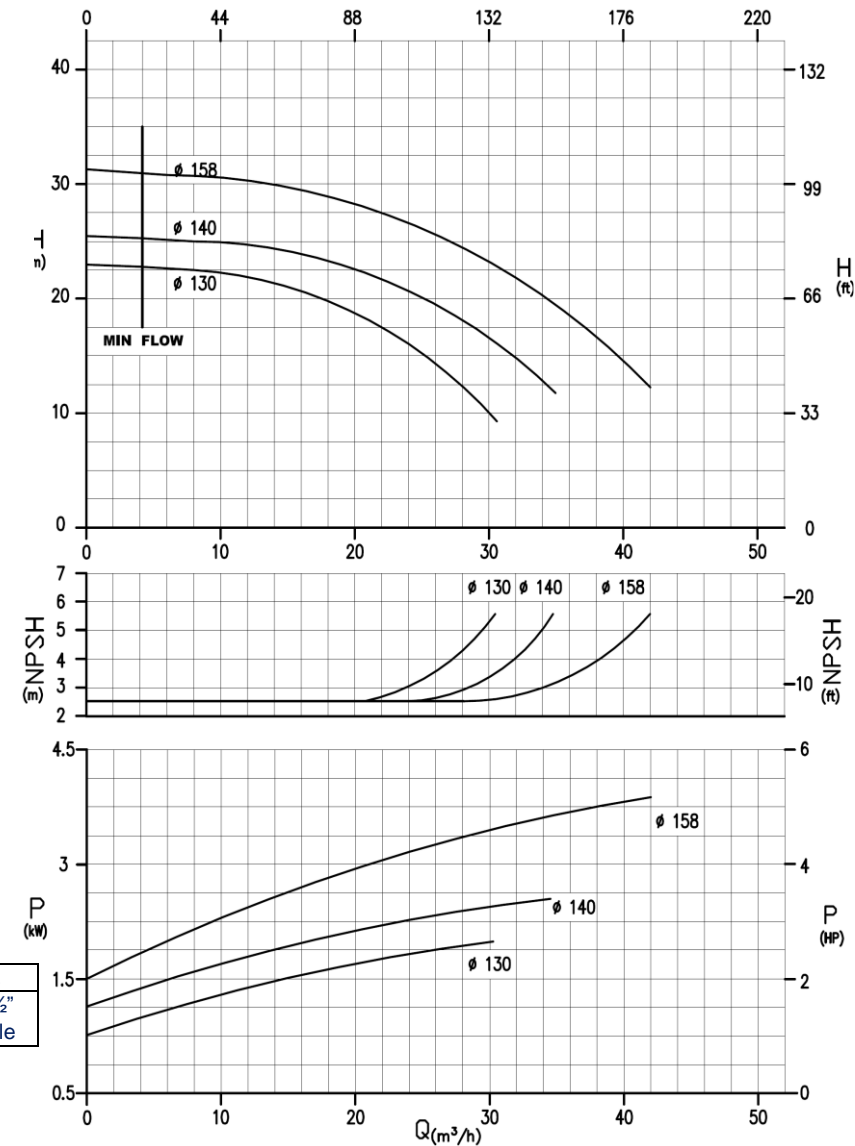
MAG-50 PP/ PVDF

- Materials available :PP or PVDF
- O-ring :EPDM or Viton
- Max. flow :42m³/h
- Max. head :31mtr.
- Max. temperature :PP 60°C; PVDF 90°C
- Max. viscosity :200cSt
- Impeller* :Ø158mm.
- Motor* :4kW, 400-690V, 7.6/4.4Amp, 3Ph, 50Hz*, IP55
- * :Other power, voltage options, 60Hz and impeller diameter available on request.



	A	B	C	D	E	G*	I	L	M	N	O	P	Q
MAG-50 4kW	228	320	190	140	112	92	3" male	350	82.5	70	170	250	2 1/2" male

Flange available on request



Curve reference:
Water; 20°C

www.corode.eu

tel: +31 (0)161-244250

corode@corode.nl