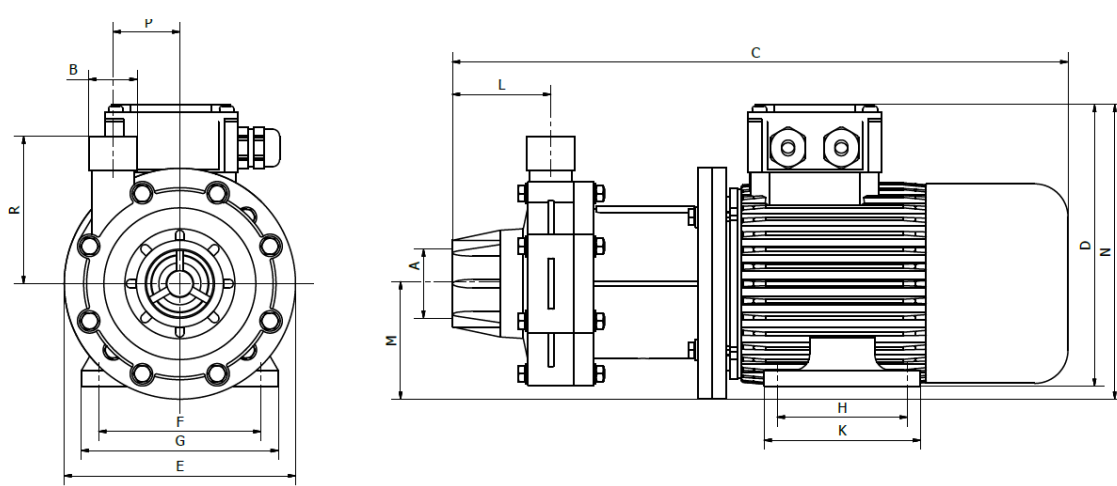


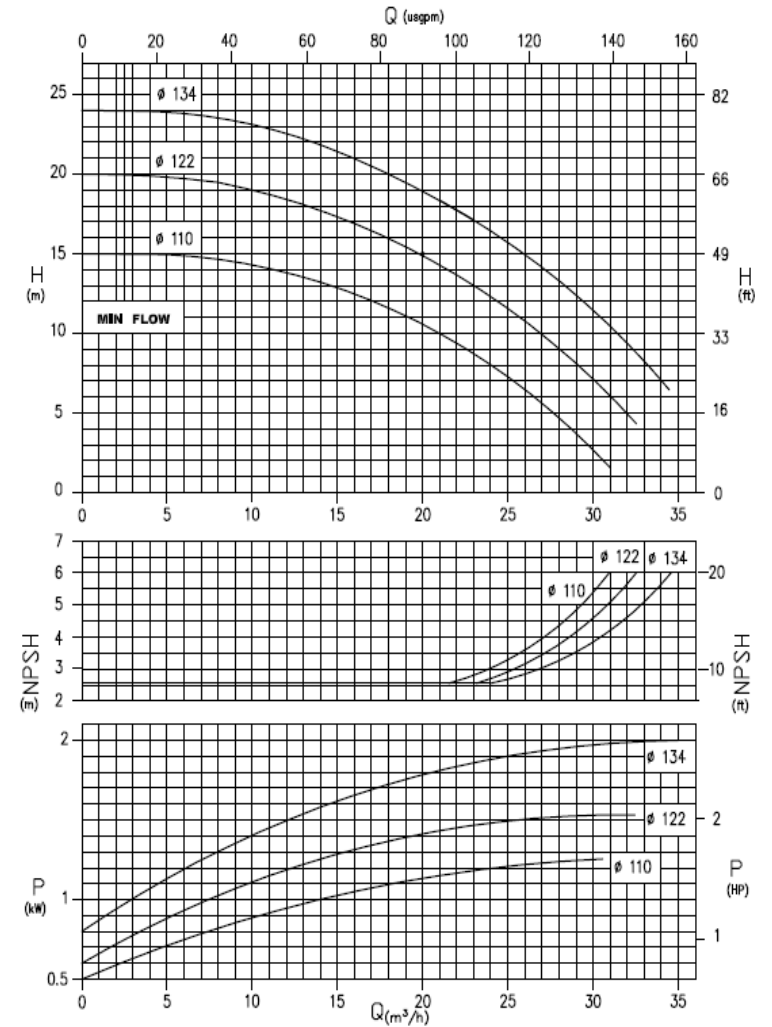
Technical data Corode magnetic drive pumps

MAG-30 PP/ PVDF

Materials available :PP or PVDF
 O-ring :EPDM or Viton
 Max. flow :35m³/h
 Max. head :24mtr.
 Max. temperature :PP 60°C; PVDF 90°C
 Max. viscosity :200 cSt
 Motor :2.2kW, 400V, 7.6/4.4Amp, 3Ph, 50Hz, IP55



	A	B	C	D	E	F	G	H	K	L	M	N	P
MAG-30	21/2"out	2"out	560	245	200	140	180	125	165	91	100	240	66



www.corode.eu

tel: +31 (0)161-244250

corode@corode.nl