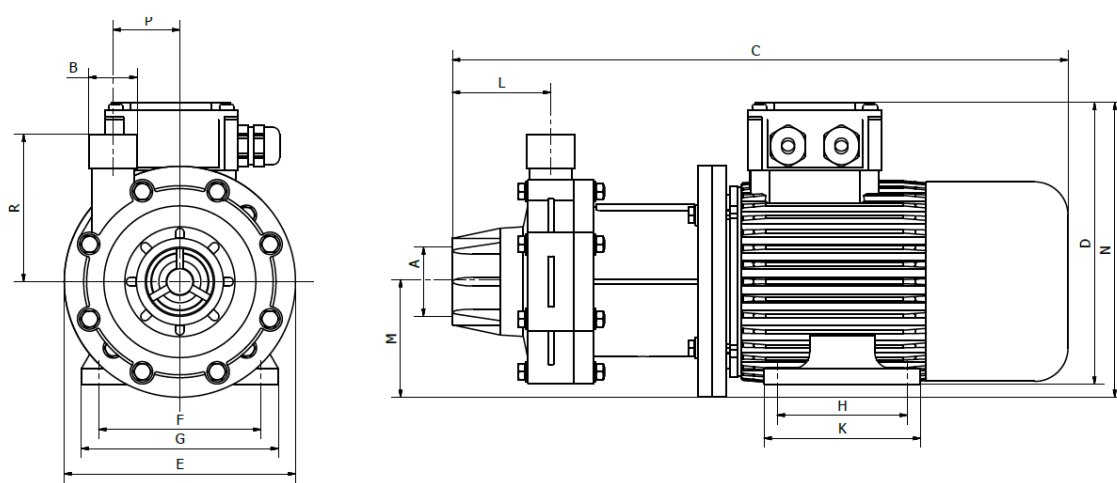


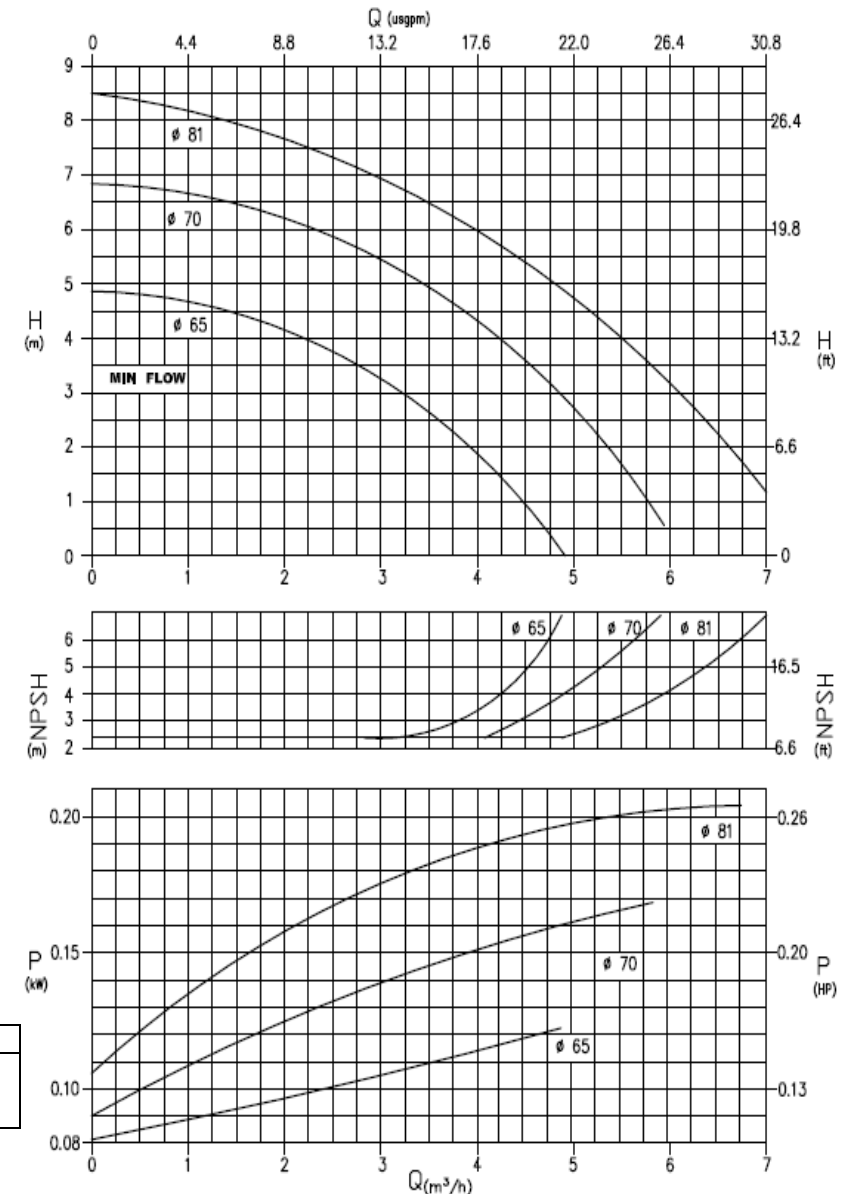
# Technical data Corode magnetic drive pumps

## MAG-07 PP/ PVDF

Materials available :PP or PVDF  
 O-ring :EPDM or Viton  
 Max. flow :6,5m<sup>3</sup>/h  
 Max. head :8.5mtr.  
 Max. temperature :PP 60°C; PVDF 90°C  
 Max. viscosity :200 cSt  
 Motor :0.25kW, 400V, 1.23/0.71Amp, 3Ph, 50Hz, IP55  
 :0.25kW, 230V, 2.2Amp, 1Ph, 50Hz, IP55



	A	B	C	D	E	F	G	H	K	L	M	N	P
<b>MAG-07</b>	1" in	3/4" out	340	167	140	100	124	80	100	59	70	175	45



[www.corode.eu](http://www.corode.eu)  
 tel: +31 (0)161-244250  
 corode@corode.nl