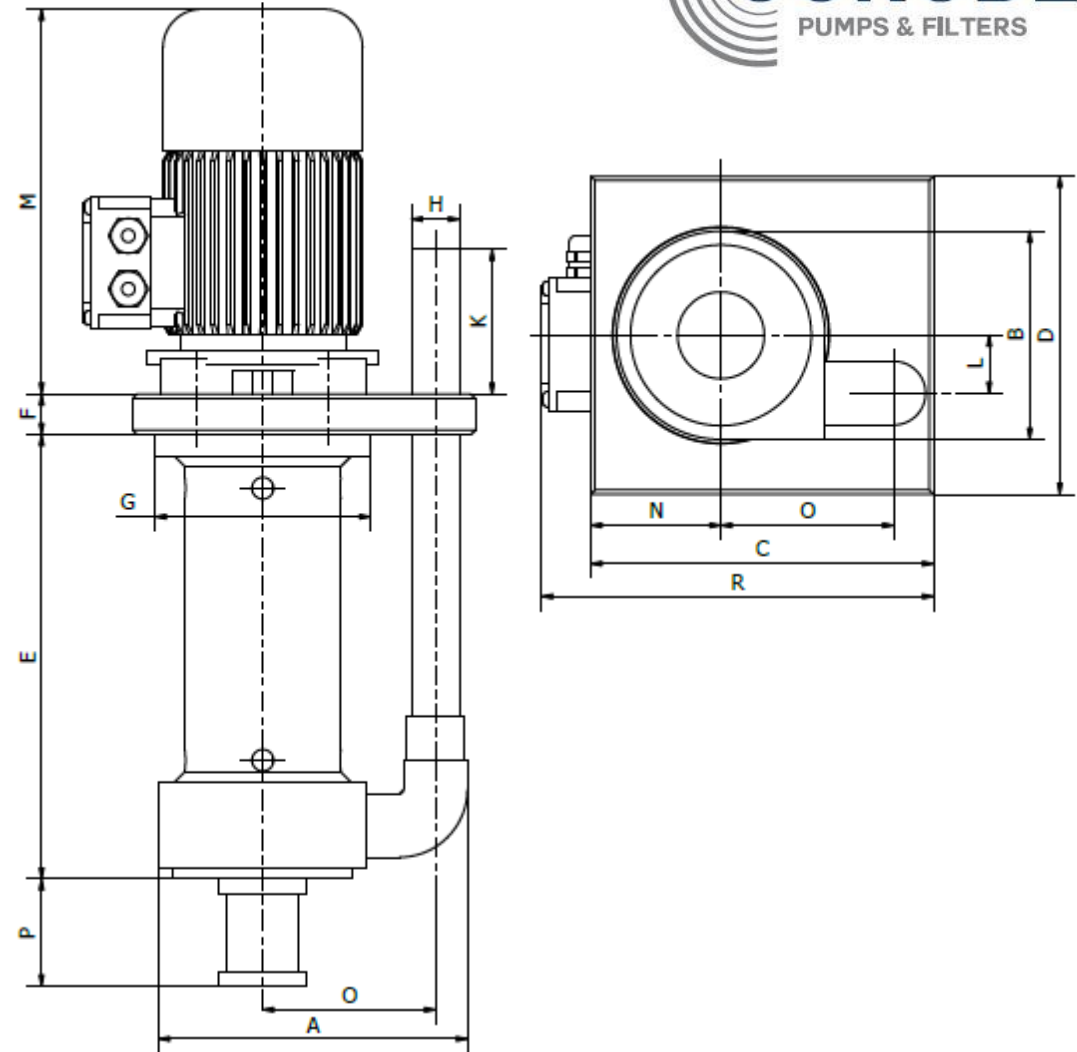


## Technical data Corode CS vertical pump

# CS400-220 PP/ PVDF

Materials available	:PP or PVDF
O-ring	:EPDM or Viton
Max. flow	:27.3m <sup>3</sup> /h
Max. head	:22.4m.
Max. temperature	:PP 75°C; PVDF 90°C
Motor	:2.2kW, 400V/ 690V, 4.05/2.35Amp, 3Ph, 50Hz, IP55



	A	B	C	D	E	F	G	H	K	L	M	N	O	P	R
<b>CS400-220</b>	250	182	285	240	390	25	200	50	135	45	360	115	130	80	300

