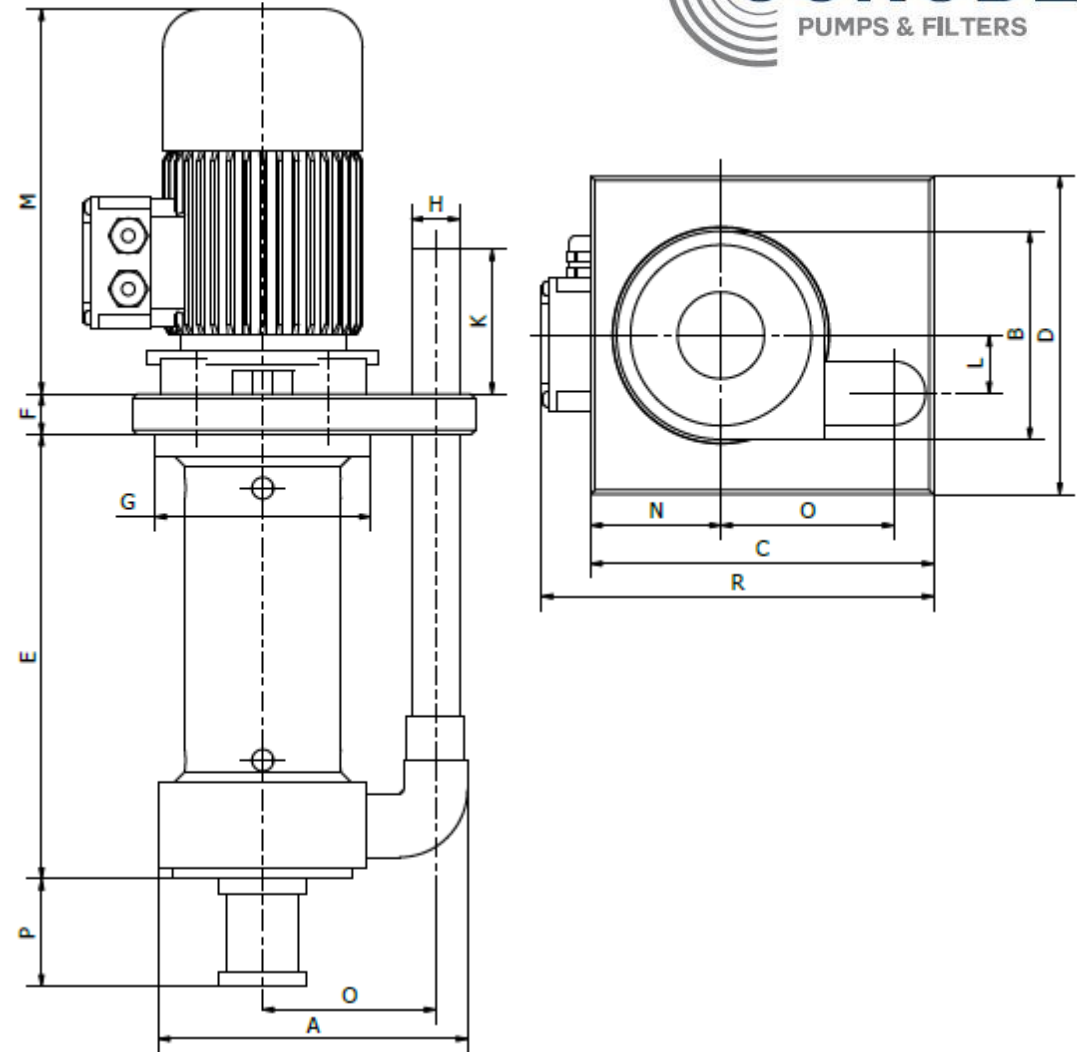
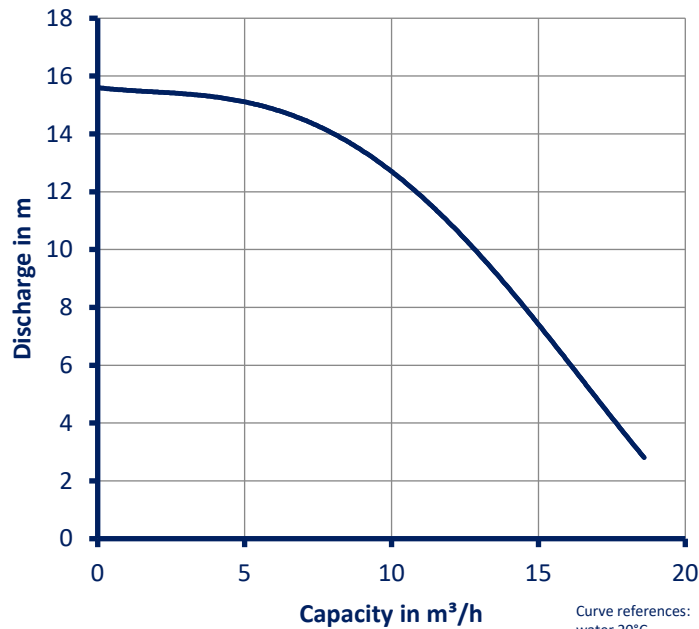


## Technical data Corode CS vertical pump

# CS400-150 PP/ PVDF

Materials available :PP or PVDF  
 O-ring :EPDM or Viton  
 Max. flow :18,6m<sup>3</sup>/h  
 Max. head :15.6m.  
 Max. temperature :PP 75°C; PVDF 90°C  
 Motor :1.5kW, 230/400V, 5.05/2.9Amp, 3Ph, 50Hz, IP55

**CS400-150**



	A	B	C	D	E	F	G	H	K	L	M	N	O	P	R
<b>CS400-150</b>	245	184	285	240	375	25	200	40	125	45	330	115	130	80	295

[www.corode.eu](http://www.corode.eu)

tel: +31 (0)161-244250

corode@corode.nl