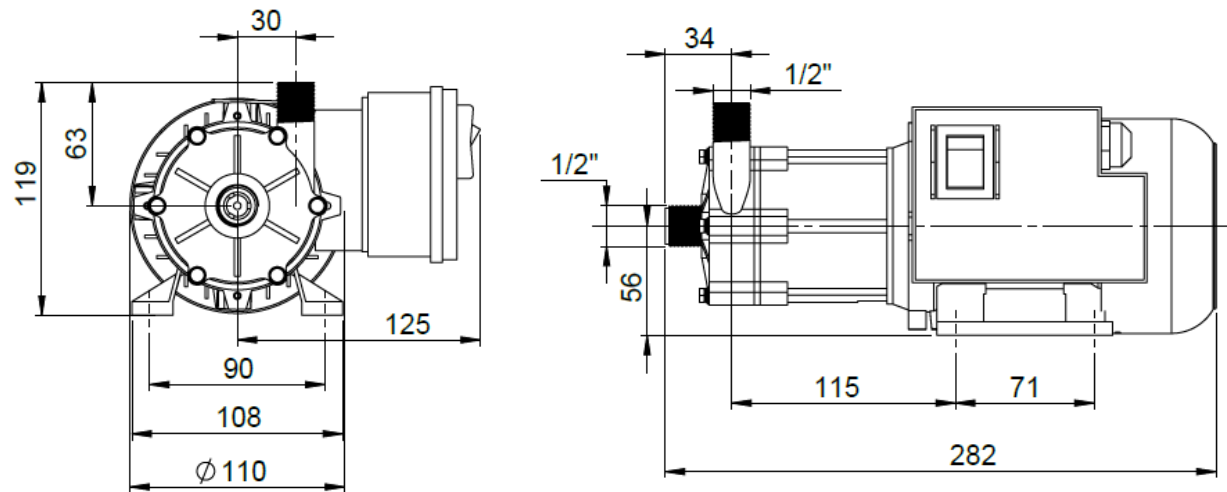


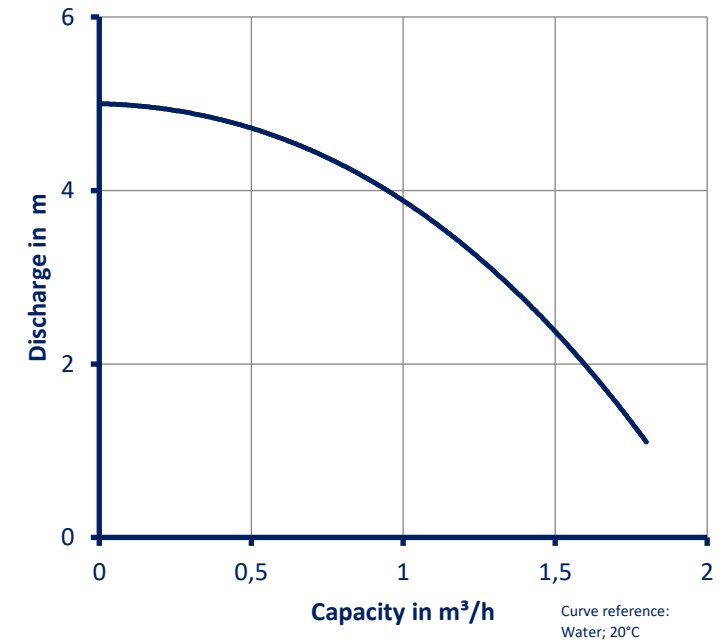
## Technical data Corode magnetic drive pumps

# CPMD-01 PP/ PVDF

Materials available	:PP or PVDF
O-ring	:EPDM or Viton
Max. flow	:1.8m <sup>3</sup> /h
Max. head	:5mtr.
Max. temperature	:PP 75°C; PVDF 90°C
Max. viscosity	:200 cSt
Motor	:0.09kW, 230V, 0.48Amp, 1Ph, 50Hz, IP55
	<i>Other voltage options and 60Hz available on request.</i>



### CPMD-01



[www.corode.eu](http://www.corode.eu)

tel: +31 (0)161-244250

corode@corode.nl