

CS



www.corode.nl

Insteekpompen
Vertical pumps
Vertikal Pumpen

Corode CS vertical pump

The **Corode** vertical pumps are fitted with a PP or PVDF pump housing. The pump is extremely suitable for pumping chemical and corrosive liquids. The liquid only comes into contact with plastic.

The vertical pumps are sealless with a direct drive to the motor. This means the pump is also able to run without liquid. The pump can therefore run dry!

The pump housing and the impeller have been developed in such a way that the pump continues to have a suction effect. Even if the pump head is no longer below the liquid level, you can continue to pump liquid using a suction tube.

Technical characteristics

- No lower bearing. The pump can run dry.
- Continuous shaft, directly to the motor.
- No metal – liquid contact
- Fitted with 3Ph 400V motor 50Hz, from 0.75kW IE3 class
- Motor protection class IP55

The **Corode** CS vertical pump offers you a choice of a PP or PVDF pump head.

PP pump housing

Maximum liquid temperature in the case of PP is 0-65°C.

PVDF pump housing

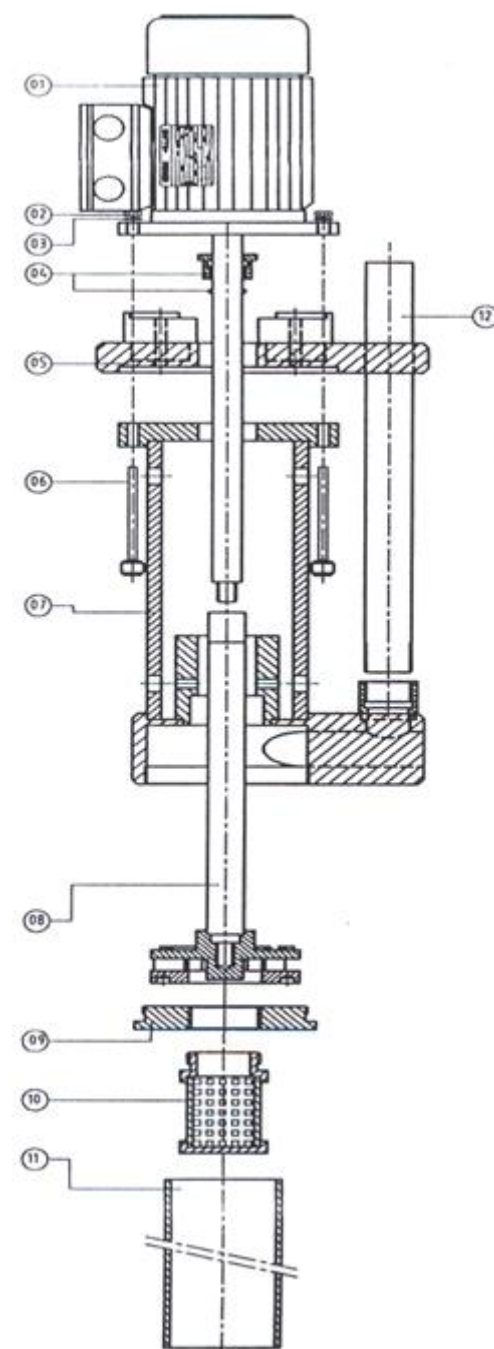
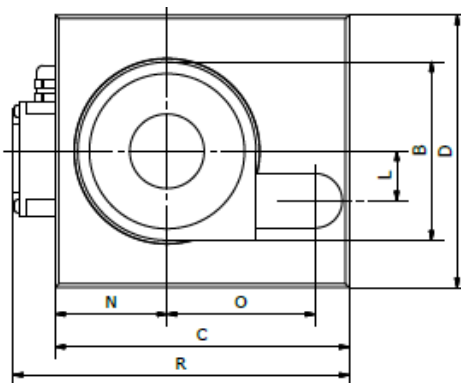
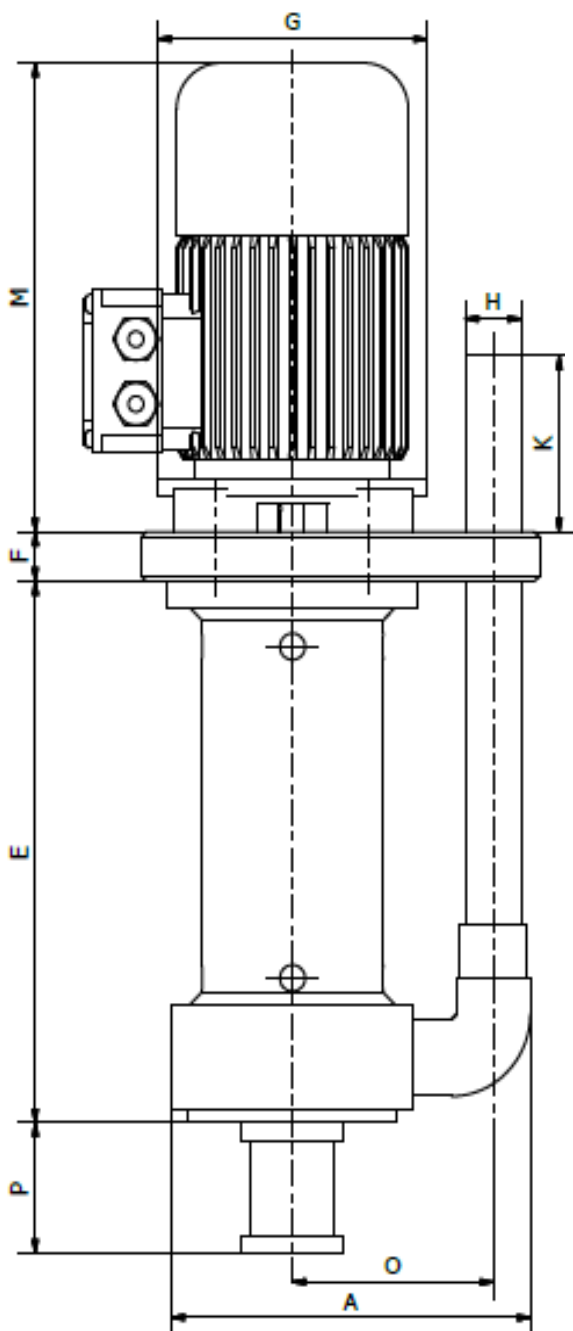
Maximum liquid temperature in the case of PVDF is 0-90°C.

If you would like specific adaptations as regards discharge outlet, connector or otherwise, please contact the sales team of Kin Pompentechniek. We will make sure you receive a suitable offer.

CS vertical material PP/PVDF										2900 RPM 50Hz						
PUMPTYPE			Amperes 230/ 400V 3Ph	L/min	Q = MAX FLOW										Submersible length mm	Disch. in mm
50 Hz	kW				0	25	50	75	100	125	150	175	200			
					M ³ /H	0	1,5	3	4,5	6	7,5	9	10,5	12		
				H = MAX HEAD IN M.												
CS270-018	0,18		0,9-0,6	5	1	-	-	-	-	-	-	-	-	270	20	
CS300-018	0,18		0,9-0,6	10	7	4,4	0,8	-	-	-	-	-	300	32		
CS300-025	0,25		1,3-0,8	11	8,3	6,9	4,6	0,9	-	-	-	-	300	32		
CS300-037	0,37		1,6-0,9	12	10,2	9,1	7,1	4,9	2,2	-	-	-	300	32		
CS300-055	0,55		2,4-1,4	14	13,4	12,8	11,7	10,5	8,7	7	5,5	0,9	300	32		

CS vertical material PP/PVDF										2900 RPM 50Hz						
PUMPTYPE			Amperes 230/ 400V 3Ph	L/min	Q = MAX FLOW										Submersible length mm	Disch. in mm
50 Hz	kW				0	50	150	250	350	450	550	650	750			
					M ³ /H	0	3	9	15	21	27	33	39	45		
				H = MAX HEAD IN M												
CS400-075	0,75		3,1-1,8	20	15,9	9,8	2,6	-	-	-	-	-	370	40		
CS400-110	1,1		4,4-2,6	21	17,8	14,1	8,7	1,8	-	-	-	-	370	40		
CS400-150	1,5		5,9-3,4	22	19,7	15,1	12,4	7,6	-	-	-	-	370	40		
CS400-220	2,2		7,9-4,6	23	20,2	18,2	17,1	11,3	6,1	-	-	-	390	50		
CS400-300	3,0		10,9-6,3	24	22,2	20,9	18	13,1	11,8	7	-	-	390	50		
CS400-400	4,0		14,6-8,4	28	27,2	26,4	24,9	22,6	19,7	15,9	11,1	4,4	390	63		

Dimension



1. Motor + shaft
2. Set of 4 nuts
3. Set of 4 washers
4. Splash cover + O-ring
5. Mounting plate
6. Set bolts
7. Pump housing
8. Impellor
9. Pump house cover
10. Suction strainer
11. Extension pipe
12. Discharge pipe

	A	B	C	D	E	F	G	H	K	L	M	N	O	P	R
CS270-018	180	100	220	170	270	25	90	20	70	0	155	85	110	0	170
CS300-018	195	144	227	220	300	25	150	32	70	40	200	90	110	60	232
CS300-025	195	144	227	220	300	25	150	32	70	40	200	90	110	60	232
CS300-037	195	144	227	220	300	25	150	32	70	40	225	90	110	60	232
CS300-055	195	144	227	220	300	25	150	32	70	40	225	90	110	60	232
CS400-075	245	200	285	240	370	25	200	40	70	45	225	115	130	80	287
CS400-110	245	200	285	240	370	25	200	40	70	45	225	115	130	80	287
CS400-150	245	200	285	240	370	25	200	40	70	45	240	115	130	80	287
CS400-220	250	200	285	240	390	25	200	50	70	45	290	115	130	80	287
CS400-300	250	200	285	240	390	25	200	50	70	45	290	115	130	80	287
CS400-400	250	200	307	240	370	25	200	63	70	45	320	115	142	80	322

AREAS OF APPLICATION



MECHANICAL
INDUSTRY



BIO INDUSTRY



CHEMICAL INDUSTRY



GALVANIC
INDUSTRY



ADHESIVE



CLEANING
AGENTS



CERAMIC INDUSTRY



SHIPPING



TEXTILES INDUSTRY



PAINT INDUSTRY



PRINTING AND



AUTOMOTIVE
INDUSTRY



OIL AND GAS
EXTRACTION



COSMETICS
INDUSTRY



PLASTIC
PROCESSING



PAPER PROCESSING
INDUSTRY



WATER TREATMENT



AGRICULTURAL
INDUSTRY



MINING



PETROCHEMICAL
INDUSTRY



GENERAL BUILDING



LEATHER PROCESSING

